



## 733A - 25lb Meat Mixer and 734A - 50lb Meat Mixer

### **BEFORE USE**

Read and understand all directions prior to use. Thoroughly clean all parts before first use in warm soapy water, to remove the lubricant applied during manufacturing. **We highly recommend the removal of the gearbox prior to washing. Do not submerge the gearbox in water.**

### **TO USE THE MIXER WITH AN LEM .75HP, 1HP, 1.3HP or 1.5HP GRINDER:**

Determine what type of grinder you have:

If the grinder has a splined drive, go to: **To Attach the Mixer to the Grinder.**

If the grinder has a slotted drive, you will have to contact LEM for a modified gearbox. Simply call 1-877-536-7763, tell the service representative you need a gearbox for a 733A/734A to work with a slotted drive motor (Part #733A-27). It will be shipped to you, along with a postage paid label for the return of the original gearbox.

### **To replace the gearbox:**

1. Remove the 6 Phillips head screws (#14) from the gearbox cover (#13).
2. Grasp the gearbox and rock it up and down gently until it comes loose.
3. Slide the new gearbox in place.
4. Replace the 6 Phillips head screws.

### **To Attach the Mixer to the Grinder:**

1. Unplug the grinder.
2. Thread the nuts (#18) onto each of the 4 mixer feet (#17), and then thread the mixer feet into the unit.
3. Place drive gear shaft (#12) of the meat mixer close to the drive shaft of the grinder. Adjust the mixer feet (#17) up or down until the drive gear shaft (#12) of the mixer aligns with the drive shaft of the grinder.
4. Slide the units together as tightly as possible while turning the paddles of the mixer by hand until the drive gear shaft aligns with the grinder drive shaft.
5. Tighten the nuts on the mixer feet to the bottom of the mixer to hold the unit at the desired height.
6. Tighten the star bolt on the grinder (not shown) against the mixer attachment.
7. Plug in the grinder.

### **FOLLOW THE INSTRUCTIONS BELOW TO MIX MEAT**

When making sausage it is important to add water to the mixture. Water will: 1) Help the seasoning blend with the meat better. 2) Make mixing easier. 3) Make stuffing easier. It will not weaken the flavor of the sausage.

1. Mix seasoning (and cure if used) with a minimum of 1 oz. of water per pound of meat. Mix thoroughly until seasoning is dissolved.
2. Put meat in mixer and pour water/seasoning mixture over meat. Place the tank cover (#6) on the mixer.
3. Mix meat until it starts to become tacky. **DO NOT OVERMIX.**
4. Remove sausage from mixer and immediately put it into stuffer for stuffing. Do not allow sausage to sit before stuffing. If mixture becomes difficult to stuff you can add water.

### **AFTER USE**

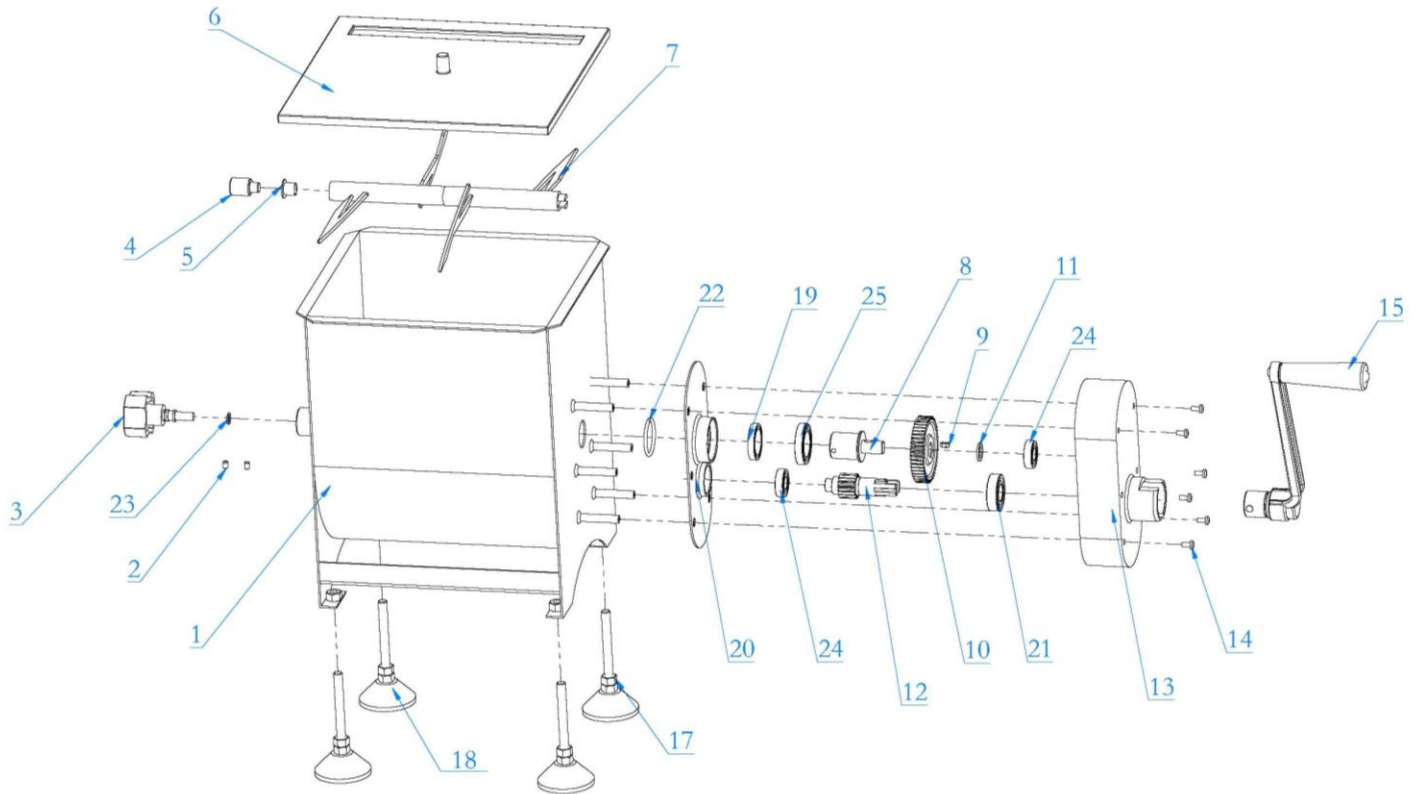
1. Unscrew the axle-adjusting knob (#3) clockwise until the paddles disengage. The axle with paddles (#7) can now be easily removed.
2. Wash the meat tank (#1) and the axle with paddles (#7) with warm soapy water, rinse and dry thoroughly. **We highly recommend the removal of the gearbox prior to washing. (See replacement of gear box.) Do not submerge the gearbox in water.**
3. Lightly coat the unit with a food grade silicone spray. This will prevent oxidation and keep the mixer in like new condition. Silicone Spray is available from LEM Products.
4. Replace the axle with paddles (#7) by aligning the notch on the paddles with the axle drive shaft (#8). Align the axle bushing (#5) with the axle adjuster (#4). Tighten the axle-adjusting knob (#3) counter-clockwise to hold axle in place.

### **WARNING & PRECAUTION**

1. When paddles are in motion do not put hands into meat tank.
2. Never operate unit without the cover being in place on the mixer.
3. Always unplug the grinder when loading or removing meat from the meat tank.
4. **Keep this mixer out of the reach of children.**



733A- 25lb MIXER  
734A- 50lb MIXER



Number	Description	Quantity	Number	Description	Quantity
1	Meat Tank	1	14	Phillips Head Screws	6
2	Mixer Set Screws	2	15	Handle (for Splined Shaft)	1
3	Axle Adjusting Knob	1	17	Mixer Foot and Bolt (5 1/2")	4
4	Axle Adjuster	1	18	Mixer Foot and Bolt Nut	4
5	Axle Bushing	1	19	Axle Drive Seal	1
6	Tank Cover	1	20	Inner Gearbox Cover	1
7	Axle With Paddles	1	21	Outer Drive Shaft Bearing	1
8	Axle Drive Shaft	1	22	Inner Gearbox Cover O-Ring	1
9	Axle Drive Shaft Key	1	23	Axle Adjusting Knob O-Ring	1
10	Axle Drive Shaft Gear	1	24	Roller Bearings (6002 GB)	2
11	Axle Drive Shaft Spacer	1	25	Axle Drive Shaft Bearing (6906 GB)	1
12	3 3/8" Drive Gear Shaft <sup>1</sup>	1	**	Gearbox for Slotted or Splined Drive	
13	Outer Gear Box Cover	1			

1 If the mixer does not attach to your LEM grinder, then call 877.536.7763 to request a gearbox with a 4" drive shaft (Part#733A-26).

\*\* A complete gearbox for a slotted drive (Part#733A-26) or splined drive (Part#733A-27) grinder is available for order.